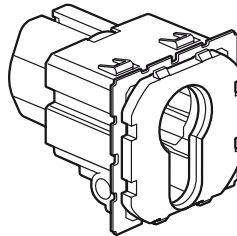


Céliane™ key switch

Cat. No(s): 670 09/39



670 09/39

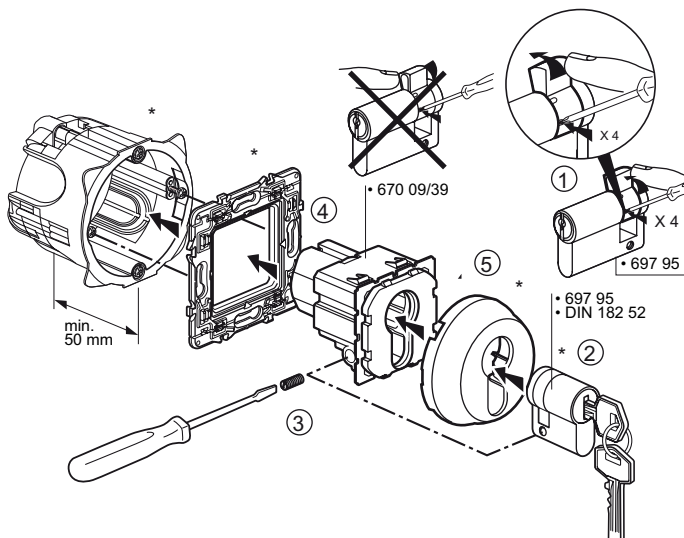
1. USE

Control mechanism for opening and closing circuits that requires the use of a key.

2. GAMME

	Description	Cat. Nos	Number of gangs	Connection Method	Weight (g)	Characteristics
	2-position key switch (2 NO) European barrel	670 09	1	With screws	36.6	250 V - 6A
	Key chargeover pushbutton with stop position, European barrel	670 39	1	With screws	36.6	250 V - 6A

3. FITTING

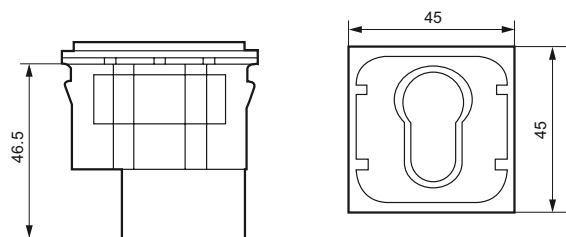


* not supplied with the mechanism

- 1 - The barrel is prepared
- 2 - The barrel is inserted into the mechanism
- 3 - The barrel is screwed to the mechanism
- 4 - The mechanism is clipped to the support
- 5 - The cover plate is clipped to the mechanism

Can be fitted with the full range of Céliane finishes
Vertical and horizontal multi-gang mounting.

4. OVERALL DIMENSIONS

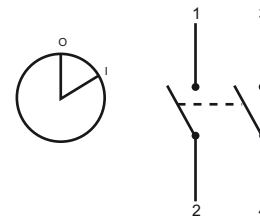


5. CONNECTION

Terminal type: with screws
Type of screwdriver: Philips No. 1
Terminal capacity: 2 x 2.5 mm²
Stripping length: 6 mm

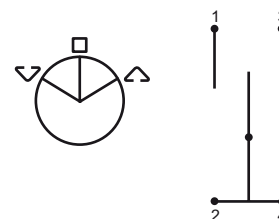
Réf. 670 09

Key extraction in 2 positions



Réf. 670 39

Key extraction in 3 positions



6. TECHNICAL DATA

6.1 Technical characteristics

Impact tests: IK 04
Penetration by solid/liquid bodies: IP 41 (C15-1000) } No rocker

6.2 Material characteristics

Base: Polycarbonate

6. TECHNICAL DATA (cont'd)

6.3 Electrical characteristics

Self-extinguishing: 650°C / 30 s
Voltage: 250 V AC
Current: 6 A
Frequency: 50/60 Hz
Max. power capacity: 750 W 230 V AC
48 V DC 3 A

6.4 Climatic characteristics

Storage and operating temperatures: -5°C to +40°C

7. CLEANING

No cleaning

8. ACCESSORIES

European barrel Cat. No. 697 95 delivered with a single set of 3 keys.